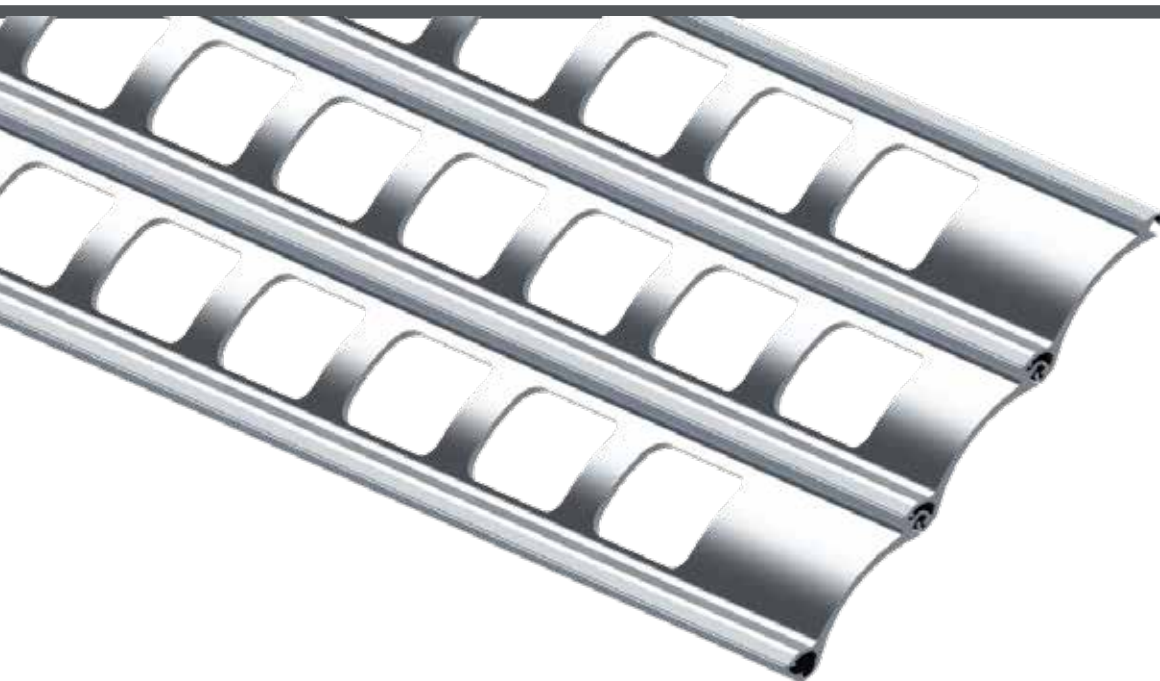




PRODUCT DATA SHEET
R2 AMZ ROLLING GRILLE



ALUMINIUM „RECTANGLE” ROLLING GRILLE
WITH A TUBULAR DRIVE IN A BOX

Copyright notice and disclaimer.

The drawings included in the data sheet are for illustration only. The manufacturer reserves the right to change design and materials of offered products without notice. Unauthorized copying and publishing of this document or its fragments by scanning, printing, photocopying or microfilming or in any other way without the prior consent of Krispol Sp. z o.o. is strictly prohibited. This document was prepared with the utmost care, however Krispol Sp. z o.o. shall not be liable for any damages incurred as a result of errors or omissions in the document. No rights may be derived from the content of this document.

TABLE OF CONTENTS



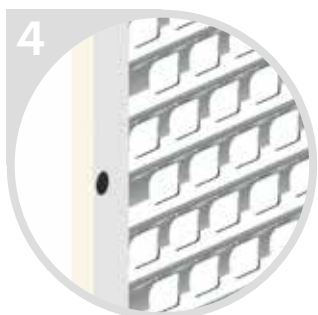
R2 AMZ ROLLING GRILLE p. 3 – 12

ACCESSORIES FOR CONTROL SYSTEM p. 13 – 14

CERTIFICATIONS 15 – 17 s.

AMZ R2 ROLLING GRILLE WITH A TUBULAR DRIVE IN A BOX

VIEW FROM INSIDE WITH INDICATED COMPONENTS

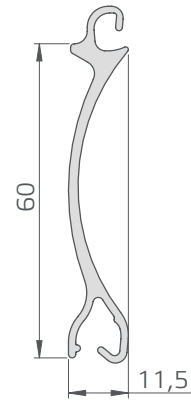


*OPTIONAL

R2 AMZ PRODUCT CHARACTERISTICS

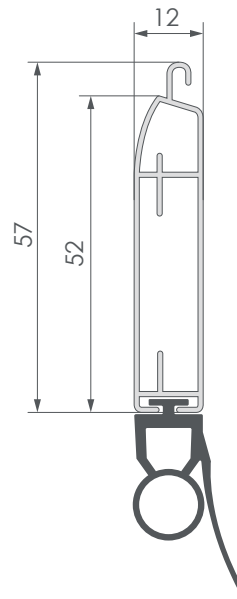
R2 AMZ – PROFILES

- Aluminium, single-wall with a height of **60 mm** and a thickness of **g=1.8 mm**.
- Secured with plastic end-caps, which prevent separation of profiles.
- Openings with dimensions **63 x 36 mm**.
- Standard colour: anodized aluminium or varnishing the shell in selected RAL colour with no extra charge.
- Weight: **~7 kg/m²**.



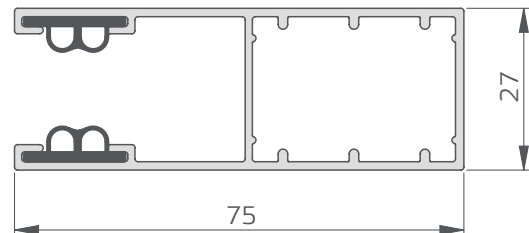
BOTTOM PANEL

- Aluminium, single-walled.
- Equipped with a rubber gasket.
- Standard colour: **anodized aluminium**.



GUIDES

- Steel with a width of **75 mm**.
- Equipped with slides made of plastic.
- Guides made in the colour of the box and shell.



BOX

- Aluminium with a height / depth of **250 mm** or **300 mm**.
- Cut at an angle of **45°**.
- Standard colour: white 01, grey 02, silver 02, bronze 09, dark brown 21.

PROTECTION DEVICES

- Modular locking hangers.
- Emergency brake in rolling grilles with surface area larger than **9 m²**.

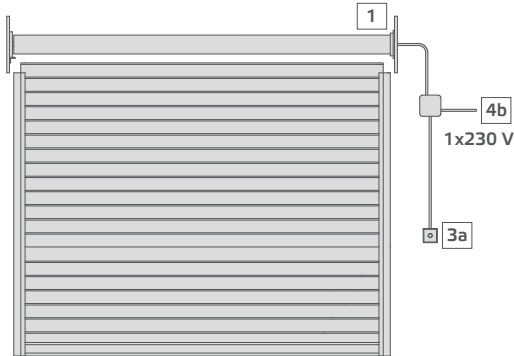
ROLL

- Steel, hot-dip galvanized.
- Tubular drive (1 x 230V).
- Mobile consoles (applies only to 300 mm box).

CONTROL TYPES FOR R2 AMZ

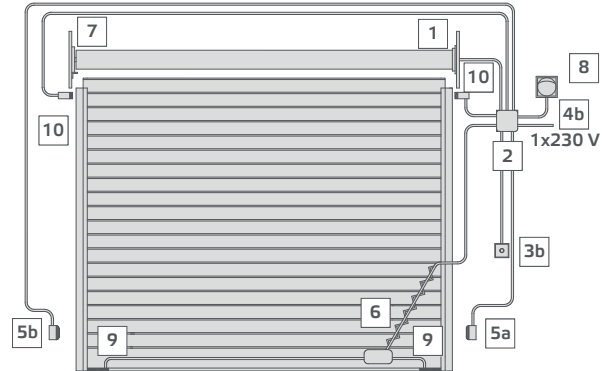
TOTMANN

Totmann control mode with up/stop/down buttons. The user opens the rolling door by single pressing and releasing the „up” button, whereas to close the door, the user must keep the „down” button pressed until the door close.



IMPULS

Control in Impuls mode (optional). It is an extended central unit with multiple configuration options.




- 1 - drive / motor
- 2 - control unit (Rollixo Optimo Impuls)
- 3a - surface-mounted, two-position key switch
- 3b - surface-mounted, single-position key switch
- 4b - power supply – 230 V
- 5a - (optional) photocell
- 5b - (optional) photocell (not available in case of photocell with reflex)
- 6 - spiral cable/connection box
- 8 - signal/warning lamp (optional)
- 9 - optical safety edge device
- 10 - shaft anti-winding protection (available only for grilles)

R2 AMZ TECHNICAL SPECIFICATIONS

Maximum dimensions (width x height)	Dimension table 9 page
Profile	Aluminium, single-walled, height: 60 mm, thickness: 1.8 mm
Shell weight	7 kg/m ²
Shell colour	Anodized aluminium or paint in RAL colours
Drives	Electric tubular motor 230 V
Opening speed	0,08 - 0,12 m/s (the speed depends on the shaft diameter and rotational speed of the motor)
Closing speed	0,08 - 0,12 m/s (the speed depends on the shaft diameter and rotational speed of the motor)
The maximum number of cycles per day	15 cycles per day (maximum time of continuous motor operation: 4 min)
Wind resistance class EN 12424	—
Anti-burglary class EN 1627:2011	—
Guarantee	2 years

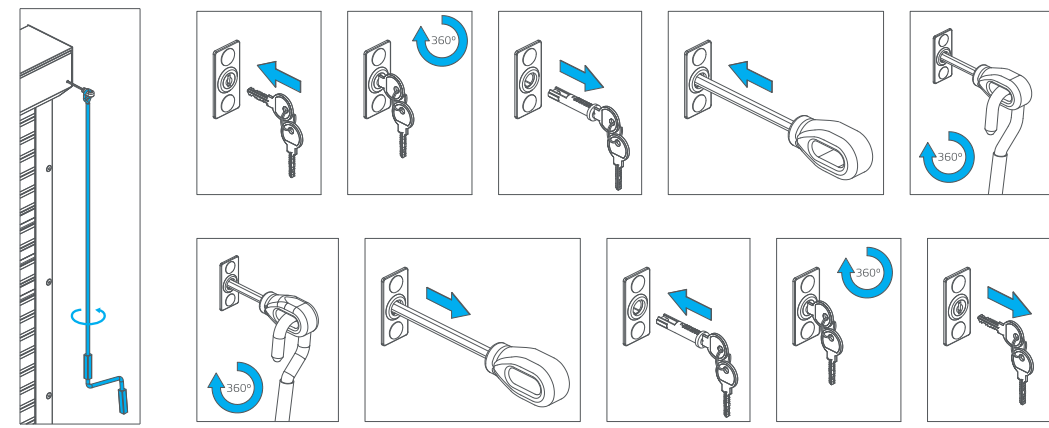
PARAMETERS OF TUBULAR DRIVES IN A BOX FOR R2 AMZ ROLLING GRILLES

	Internal tubular drive in a box (supplied as a standard).				
	Motor model				
Parameters	M45 M23/14 NHK	M45 M23 /14 NHK	M45 M47/12 NHK	M59 M80/12 NHK	M59 M100/12 NHK
Torque Nm	23	33	47	80	100
Rotational speed min⁻¹	14	14	12	12	12
Motor power kW	150	280	280	320	380
Voltage V	230	230	230	230	230
Frequency Hz	50	50	50	50	50
Motor operating current A	0,7	1,3	1,3	1,4	1,7
Max. number of cycles per day	15	15	15	15	15
Ingress protection rating IP	44	44	44	44	44

	Motor model					
Parameters	LT 50 Vectran 50Nm NHK	LT 50 Mariner 40Nm NHK	LT 50 Gemini 25Nm NHK	LT 60 Sirius 80Nm NHK	LT 60 Titan 100Nm NHK	LT 60 Taurus 120Nm NHK
Torque Nm	50	40	25	80	100	120
Rotational speed min⁻¹	12	17	17	12	12	17
Motor power kW	270	270	180	320	410	450
Voltage V	230	230	230	230	230	230
Frequency Hz	50	50	50	50	50	50

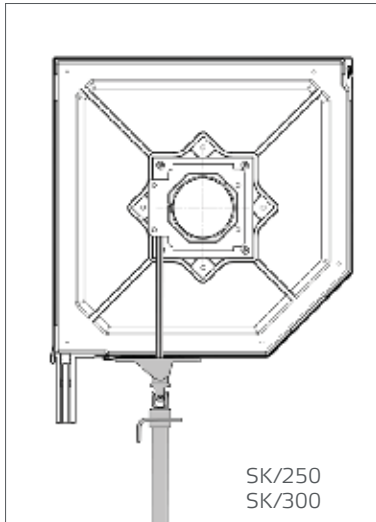
EMERGENCY UNLOCKING OF R2 AMZ

Types of emergency opening of the rolling grilles with the tubular drive in a box

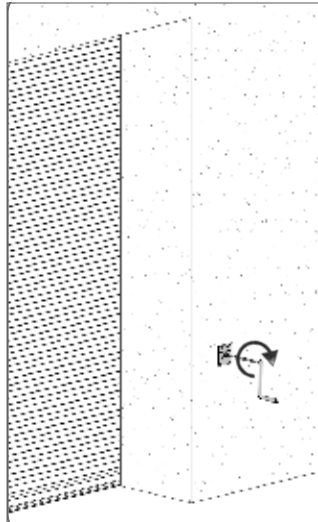


Opening and closing with a crank

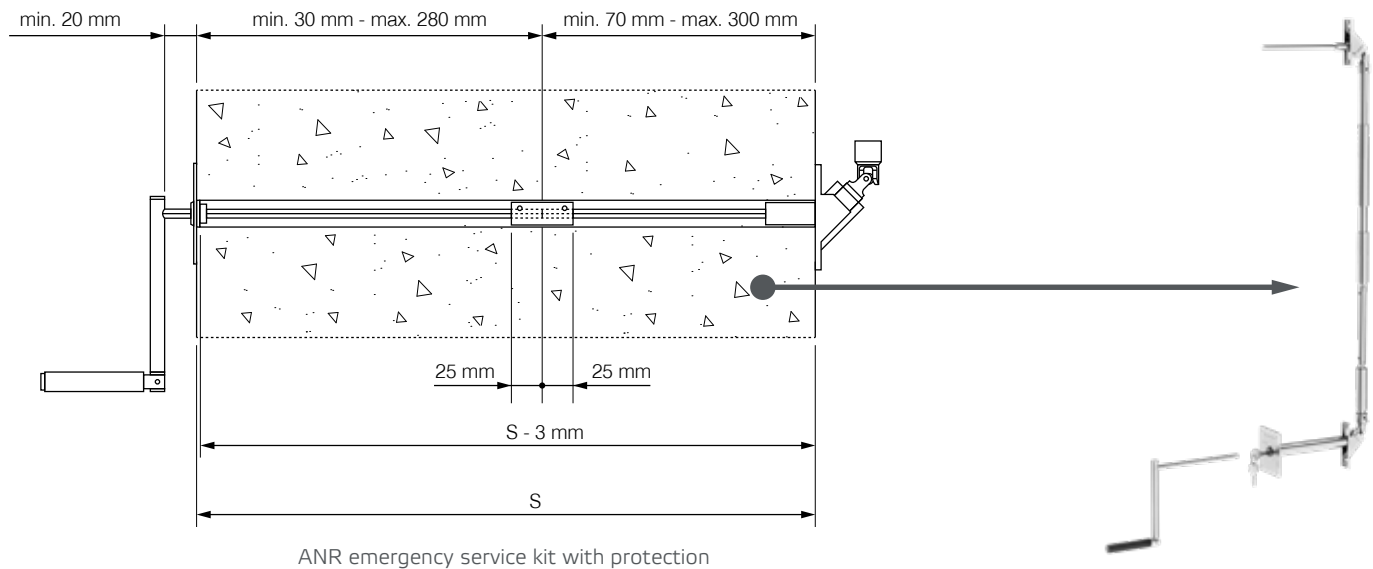
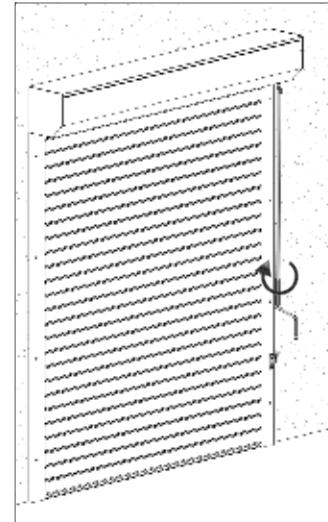
MOUNTING FROM THE FRONT OF THE BOX



RELEASE FROM THE OUTSIDE



RELEASE FROM THE INSIDE



OPTIONAL PROTECTION MEASURES OF R2 AMG

UNIDIRECTIONAL PHOTOCELL

Properly align the door. Mounted 500mm above the floor. Wiring is provided to both photocells. Option available in Impuls control version.



SURFACE-MOUNTED UNIDIRECTIONAL PHOTOCELLS

Properly align the door. Mounted 500mm above the floor. Wiring is provided to both photocells. Option available in Impuls control version.



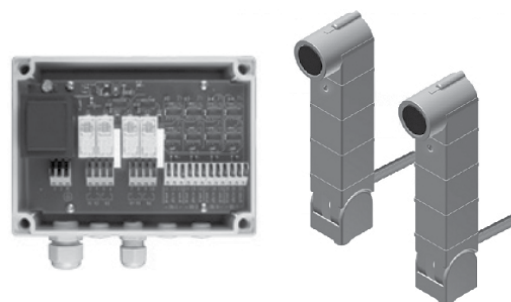
OPTICAL SENSORS FOR EDGE PROTECTION

Two light sensors mounted in the seal of the bottom panel. When the door encounters an obstacle during the operation, the light sensors will change its movement direction. In standard „Impuls“ control mode.



SHAFT ANTI-WINDING PROTECTION

Option available in Impuls control version.



SIGNAL LAMP

Informs about door movement. Orange, pulsating light. Option available in Impuls control version.



ACCESSORIES FOR R2 AMZ ROLLING GRILLE - CHARGED EXTRA

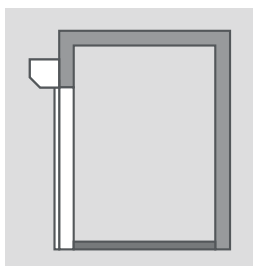
ACCESSORY NAME	COMMENTS
Control in Impuls mode	Somfy ROLLIXO OPTIMO panel with built-in RTS receiver, optical safety edge device, 5 m cable
Shaft anti-winding protection H>2500	required 2 sets in the Impuls control version
Shaft anti-winding protection H<2500	required 3 sets in the Impuls control version
Powder painting of the housing (box, guides, bottom slat) in RAL colours	RAL colours with the exception of pearl, metallic, fluorescent
Full profile	Max. 10 pcs. - larger amount on request.
Changing the box from 250 mm to 300 mm with mobile consoles	—
Emergency brake	Applies to grilles with a surface up to 9 m ²
Cardan joint 90 ° with eye	dedicated to the control side from the inside, installation inside
ANR emergency service kit with protection	dedicated to be operated from the outside when installed inside; secured access with a key lock

CONDITIONS FOR INSTALLING R2 AMZ

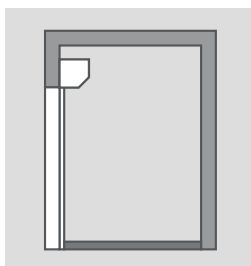
Maximum dimensions of R2 AMZ: 3500 x 3250 mm; 3250 x 3500 mm; 3000 x 3625 mm; 2750 x 3875 mm or 2500 x 4000 mm (maximum surface area: 15 m²).

DIMENSIONAL TABLE												
height\width	1000	1250	1500	1750	2000	2250	2500	2750	3000	3250	3500	box (h)
1500	A											250
1625												
1750												
1875												
2000												
2125												
2250												
2375												
2500												
2625												
2750	B											300
2875												
3000												
3125												
3250												
3375												
3500												
3625												
3750												
3875												
4000												

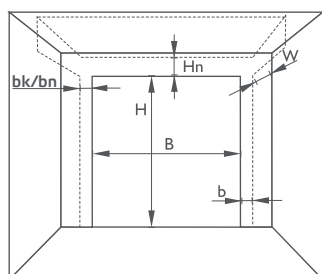
MOUNTING FROM THE OUTSIDE



MOUNTING FROM THE INSIDE



- B_{max} = 3500 (max. door dimension)
- b_{min} = 80 mm
- H_{max} = 4000 (max. door dimension)
- Hn_{min} = $h + 20$ mm
- W = h
- Hp = $H - 80$ mm

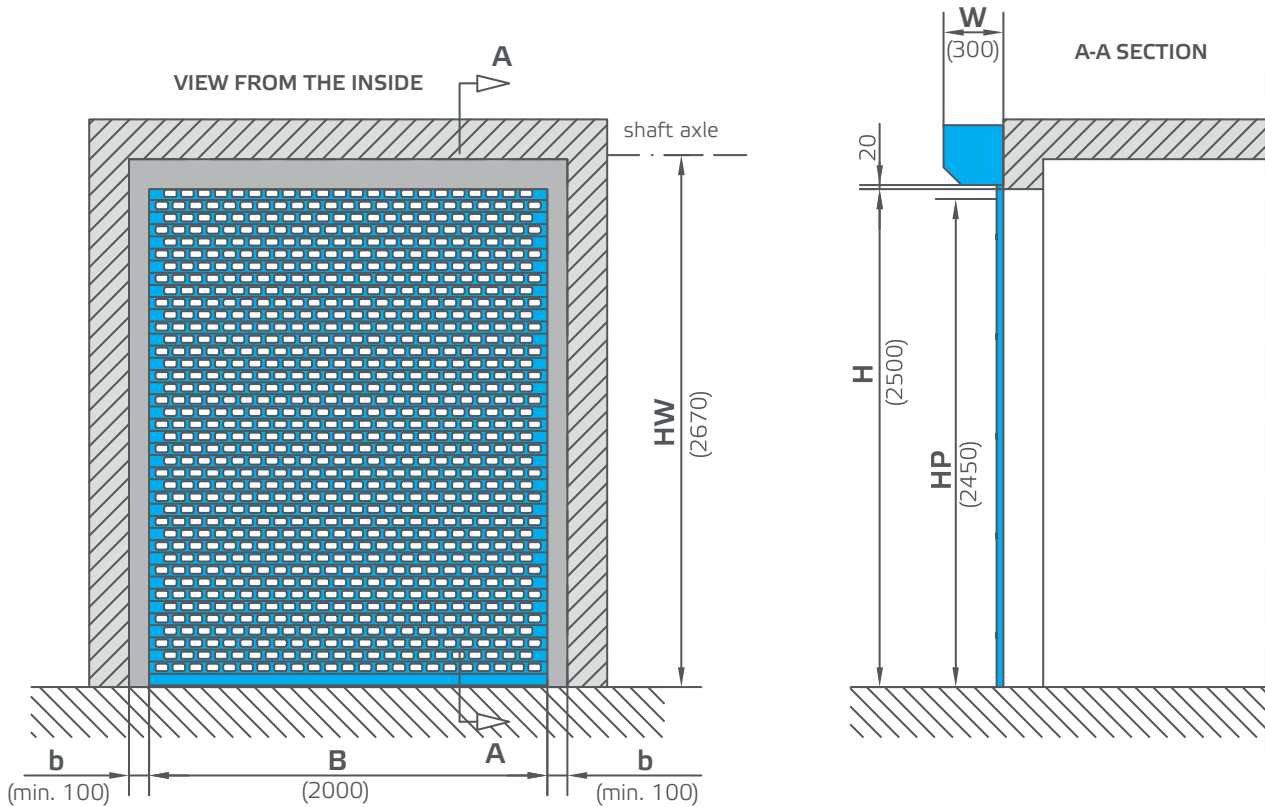


measuring method, view from the inside

- B** - opening width
- b** - width of jambs
- bn** - jamb width for the height of console with drive
- H** - opening height
- Hn** - lintel height
- Hp** - passage height
- W** - installation depth
- Wn** - installation depth from the drive side

ARCHITECTURAL BASE FOR R2 AMZ - OUTDOOR INSTALLATION

Base structure prepared for rolling grille with dimensions of 2000x2500 mm, other door dimensions should be calculated analogously, selecting parameter values from the table.



Size range R2 AMZ and selection of the height of the box „h”					
H	B	max. 2750	max. 3000	max. 3250	max. 3500
max. 2500		h=250 mm		h=300 mm	
max. 2625					
max. 2750					
max. 2875					
max. 3000					

The figure presents R2 AMZ with dimensions of 2000 x 2500 mm. Grille of different dimensions may be used - as shown in the table below.

SELECTION PARAMETERS FOR R2 AMZ				
Symbol	Outline dimensions [mm]			Grille dimensions in the figure [mm]
	R2 AMZ			
B	max. 2500		max. 4500	2000
H	max. 3000	max. 4000	1500-4000	2500
Hn	min. h+20mm	min. h+20mm	min. h+20mm	300
W	h	h	h	300
b	80	80	80	80
bn	-			-
Q	max. 120 [kg]			55 [kg]
HP	H-50			2450
HR	H			2500
HW	H+20+h/2			2670
H1	H+h			2800

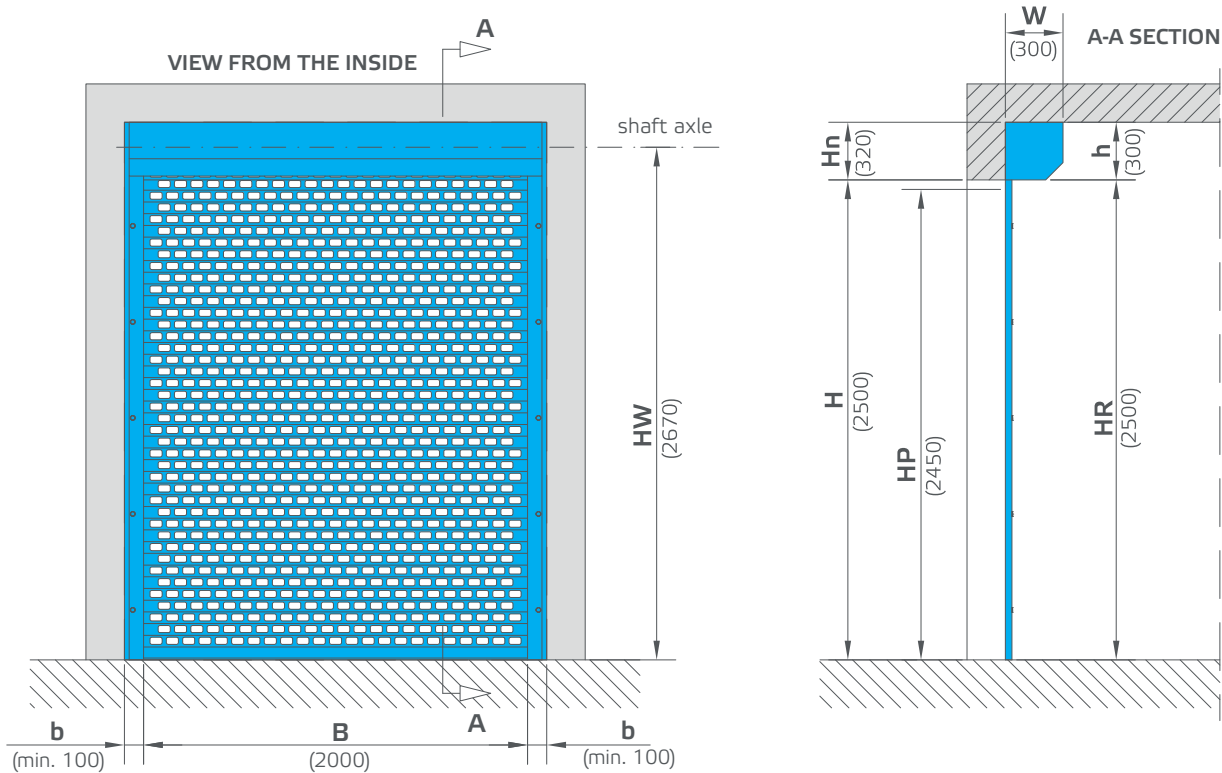
DESCRIPTION OF SYMBOLS

- ORR - door / grille workspace
- B - opening width
- H - opening height
- b - width of jambs
- bn - jamb width at drive end
- h - box height
- Hn - lintel height (Hn=h+20mm)
- HP - passage height
- HR - operating height
- HW - height from the floor to the shaft axis
- W - installation depth
- H1 - height from the floor to the upper edge of the shaft
- Q - rolling grille weight [kg]

* Refers to the version with emergency disconnection drive crank without joint.

ARCHITECTURAL BASE FOR R2 AMZ - INDOOR INSTALLATION

Base structure prepared for rolling grille with dimensions of 2000x2500 mm, other door dimensions should be calculated analogously, selecting parameter values from the table.



Size range R2 AMZ and selection of the height of the box „h“					
H	B	max. 2750	max. 3000	max. 3250	max. 3500
max. 2500		h=250 mm		h=300 mm	
max. 2625					
max. 2750					
max. 2875					
max. 4000					

The figure presents R2 AMZ with dimensions of 2000 x 2500 mm. Grille of different dimensions may be used - as shown in the table below.

SELECTION PARAMETERS FOR R2 ANZ				
Symbol	Outline dimensions [mm]			Grille dimensions in the figure [mm]
	R2 AMZ			
B	max. 2500		max. 4500	2000
H	max. 3000	max. 4000	1500-4000	2500
Hn	min. h+20mm	min. h+20mm	min. h+20mm	300
W	h	h	h	300
b	80	80	80	80
bn	-			-
Q	max. 120 [kg]			55 [kg]
HP	H-50			2450
HR	H			2500
HW	H+20+h/2			2670
H1	H+h			2800

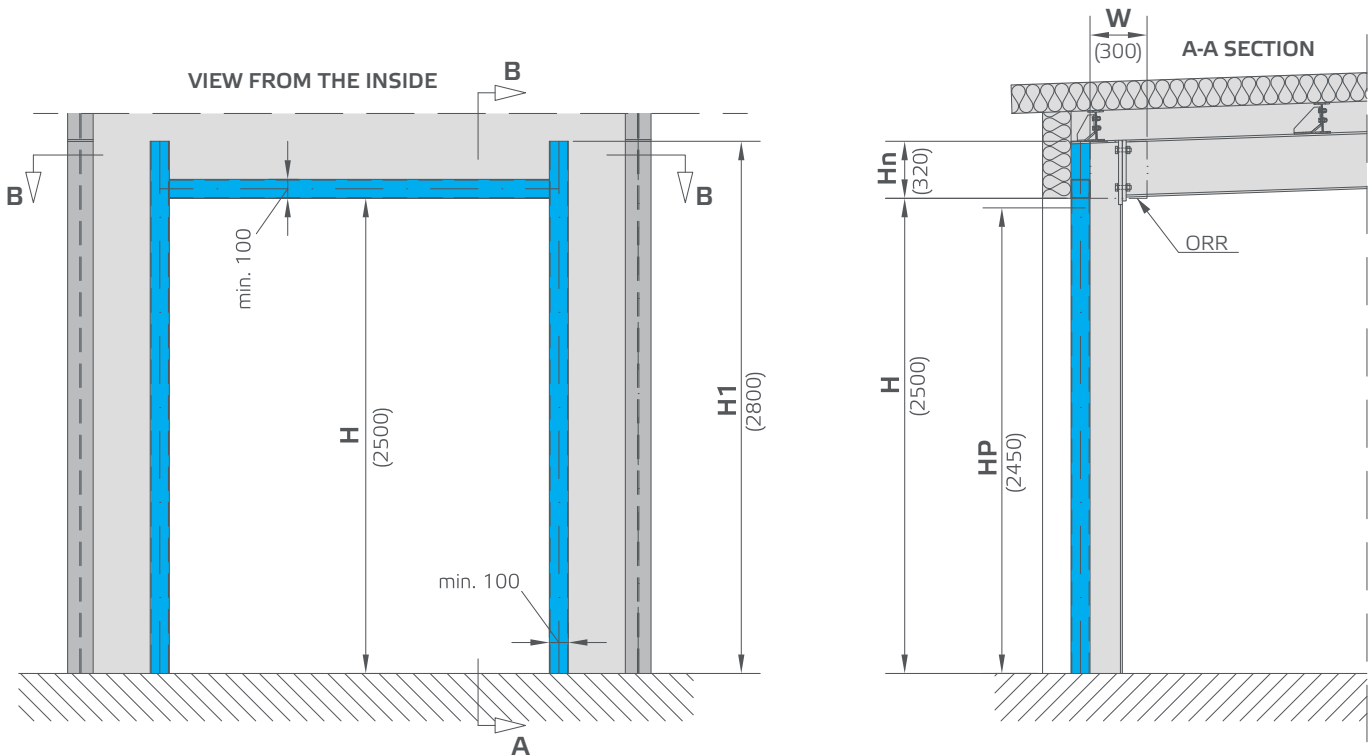
DESCRIPTION OF SYMBOLS

- ORR** - door / grille workspace
- B** - opening width
- H** - opening height
- b** - width of jambs
- bn** - jamb width at drive end
- h** - height of the box
- Hn** - lintel height (Hn=h+20mm)
- HP** - passage height
- HR** - operating height
- HW** - height from the floor to the shaft axis
- W** - installation depth
- H1** - height from the floor to the upper edge of the shaft
- Q** - rolling grille weight [kg]

* Refers to the version with emergency disconnection drive crank without joint.

CONSTRUCTION BASE OF R2 AMZ

Base structure prepared for rolling grille with dimensions of 2000x2500 mm, other door dimensions should be calculated analogously, selecting parameter values from the table.



Size range R2 AMZ and selection of the height of the box „h”					
H	B	max. 2750	max. 3000	max. 3250	max. 3500
max. 2500	h=250 mm	h=300 mm			
max. 2625					
max. 2750					
max. 2875					
max. 4000					

The figure presents R2 AMZ with dimensions of 2000 x 2500 mm. Grille of different dimensions may be used - as shown in the table below.

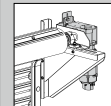
SELECTION PARAMETERS FOR R2 AMZ				
Symbol	Outline dimensions [mm]			Grille dimensions in the figure [mm]
	R2 AMZ			
B	max. 2500		max. 4500	2000
H	max. 3000	max. 4000	1500-4000	2500
Hn	min. h+20mm	min. h+20mm	min. h+20mm	300
W	h	h	h	300
b	80	80	80	80
bn	—			—
Q	max. 120 [kg]			55 [kg]
HP	H-50			2450
HR	H			2500
HW	H+20+h/2			2670
H1	H+h			2800

DESCRIPTION OF SYMBOLS

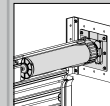
- ORR** - door / grille workspace
- B** - opening width
- H** - opening height
- b** - width of jambs
- bn** - jamb width at drive end
- h** - box height
- Hn** - lintel height (Hn=h+20mm)
- HP** - passage height
- HR** - operating height
- HW** - height from the floor to the shaft axis
- W** - installation depth
- H1** - height from the floor to the upper edge of the shaft
- Q** - rolling grille weight [kg]

* Refers to the version with emergency disconnection drive crank without joint.

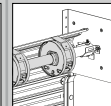
ACCESSORIES FOR CONTROL SYSTEM



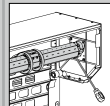
slip-on drive



tubular side motor



spring system with motor



tubular motor with casing

article	name	remarks	slip-on drive		tubular side motor		spring system with motor		tubular motor with casing	
			TOTMANN	IMPULS	TOTMANN	IMPULS	TOTMANN	IMPULS	TOTMANN	IMPULS
KON.GF001	control panel up/stop/down	without cable, IP 65	✓	✓						
KON.GF004	control panel up/stop/down, 2 keys	without cable, IP 65	✓	✓						
XPRE.GF001	lintel switch (pull-switch) with 2,5 m chain	without cable, IP 65		✓		✓		✓		✓
XPRE.PL.006	one-position key switch, under-plaster	without cable, IP 54, 3 keys		✓		✓		✓		✓
XPRE.PL.005	one-position key switch, on-plaster	without cable, IP 54, 3 keys		✓		✓		✓		✓
XPRE.PL.003	two-position key switch, under-plaster	without cable, IP 54, 3 keys	✓	✓	✓		✓		✓	
XPRE.PL.001	two-position key switch, on-plaster	without cable, IP 54, 3 keys	✓	✓	✓		✓		✓	
KAL.EK.002	4-wire cable with ends, 5 m	used for control panel or key/lintel switch	✓	✓	✓	✓	✓	✓	✓	✓
KAL.EK.003	4-wire cable with ends, 9 m	used for control panel or key/lintel switch	✓	✓	✓	✓	✓	✓	✓	✓
FOT.GF.001	photocell with reflex	—		✓		✓		✓		✓
FOT.GF.002	photocells, one-way	—		✓		✓		✓		✓
ODR.NI.009	2-channel receive SMX2R, universal FLOR	for max 256 transmitters		✓		✓		✓		✓
NAD.NI.012	4-channel transmitter RT20	—		✓		✓		✓		✓
NAD.GF.001	1-channel transmitter midi	—		✓		✓		✓		✓
NAD.GF.002	1-channel transmitter midi	—		✓		✓		✓		✓
NAD.GF.006	4-channel transmitter	—		✓		✓		✓		✓
LAS.PM.001	signal lamp with a handle			✓		✓		✓		✓
LAS.NI.012	signal lamp LED ERA 12/24V			✓		✓		✓		✓
LAS.NI.013	signal lamp LED ERA 230V			✓		✓		✓		✓
LAS.GF.001	signal lamp LED - red 230V	IP 65		✓		✓		✓		✓
LAS.GF.002	signal lamp LED - green 230V	IP 65		✓		✓		✓		✓
LAS.GF.003	signal lamp LED red/green	IP 65		✓						
RAD.BF.001	radar motion detector	distinguishes between persons and vehicles, direction detection, suppression of crossing traffic, setting of field size, IP 65		✓						
XLAK.PL.002	bell-type button switch, under-plaster	without cable, IP 54		✓		✓		✓		✓
AWR.PA.001	emergency drive release with integrated key switch	used for rolling doors and grilles with spring system and electric drive, 2 keys					✓	✓		
FOT.KK.001	photocells, one-way Krispol	without cable		✓		✓		✓		✓
FOT.SM.001	photocells, one-way	for control central ROLLIXO OPTIMO, without cable				✓		✓		✓
NAD.SM.013	2-channel transmitter Keytis 2NS	for control central Somfy ROLLIXO OPTIMO				✓		✓		✓
NAD.SM.014	3-channel transmitter Keytis 4NS	for control central Somfy ROLLIXO OPTIMO				✓		✓		✓
NAD.SM.015	4-channel transmitter Keygo	for control central Somfy ROLLIXO OPTIMO				✓		✓		✓
MOD.WI.001	AOS 6230 processing unit security for TWIN-PRO			✓		✓		✓		✓
ZAB.WI.004	pull-in protection TWIN-PRO			✓		✓		✓		✓
	1 x LED strips 530 mm	mounted inside/outside on the bottom slat		✓		✓		✓		✓
	2 x LED strips 530 mm	mounted inside/outside on the bottom slat, max 2 parts on side		✓		✓		✓		✓
	4 x LED strips 530 mm	mounted inside/outside on the bottom slat, max 2 parts on side		✓		✓		✓		✓
KON.AH.002	reed overrun	—	✓	✓	✓	✓	✓	✓	✓	✓
STI.GF.001	plug connector (Stick)	service device, facilitating diagnostics and reviews of GfA controllers		✓		✓		✓		✓



bell-type button switch,
under-plaster
XLAK.PL.002



control panel
up/stop/down
KON.GF.001



one-position key switch,
under-plaster
XPRE.PL.006 / XPRE.PL.005



two-position key switch,
under-plaster
XPRE.PL.003 / XPRE.PL.001



emergency drive release with
integrated key switch
AWR.PA.001



reed overrun
KON.AH.002



intel switch (pull-switch)
with 2,5 m chain
XPRE.GF.001



4-channel transmitter FLO4RE
NAD.NI.012



2-channel transmitter
Keytis 2N5
NAD.SM.013



4-channel transmitter Keygo
NAD.SM.015



1-channel transmitter midi
NAD.GF.001



2-channel transmitter midi
NAD.GF.002



4-channel transmitter
NAD.GF.006



2-channel receive SMX2R,
universal FLOR
ODR.NI.009



photocells, one-way
FOT.SM.001



photocells, one-way
FOT.KK.001



photocell with refl ex
FOT.GF.001



photocells, one-way
FOT.GF.002



radar motion detector
RAD.BF.001



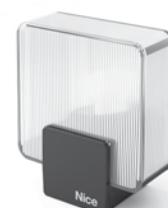
plug connector (Stick)
STI.GF.001



LED strip 530 mm



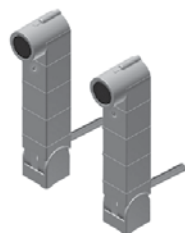
signal lamp with a handle
LAS.PM.001



signal lamp LED ERA
LAS.NI.012 / LAS.NI.013



signal lamp, green/red
LAS.GF.003



pull-in protection
ZAB.WI.004



AOS 6230 safety processing
unit for TWIN-PRO
MOD.WI.001



DEKLARACJA WŁAŚCIWOŚCI UŻYTKOWYCH

04004/2021

Niepowtarzalny kod identyfikacyjny typu wyrobu:	R2 AMZ (408440/25/1)
Zamierzone zastosowanie lub zastosowania:	brama do instalowania w obiektach przemysłowych i handlowych
Producent:	KRISPOL Sp. z o.o. ul. Michała Strzykały 4, 62-300 Września
System(-y) oceny i weryfikacji stałości właściwości użytkowych:	3
Norma zharmonizowana:	PN-EN 13241+A2:2016-10
Jednostka notyfikowana:	nr 1017, TÜV SÜD CZECH s.r.o.

DEKLAROWANE WŁAŚCIWOŚCI UŻYTKOWE

Wodoszczelność:	Klasa 0	PN-EN 12425
Wydzielanie substancji niebezpiecznych:	Nie zawiera	PN-EN 12421
Odporność na obciążenie wiatrem:	npd	PN-EN 12424
Opór cieplny (W/m ² K):	npd	PN-EN 12428
Przepuszczalność powietrza:	Klasa 0	PN-EN 12426
Bezpieczne otwieranie:	Spełnia	PN-EN 12604
Określenie geometrii elementów szklanych:	npd	PN-EN 12604
Wytrzymałość mechaniczna i stateczność:	Spełnia	PN-EN 12604
Trwałość wodoszczelności, oporu cieplnego i przepuszczalności powietrza, bez ich pogarszania:	35 000 cykli	PN-EN 12605
Siły wywierane:	Spełnia	PN-EN 12453

DODATKOWE WŁAŚCIWOŚCI

Zgodność niskonapięciowa:	Spełnia	2014/35/UE
Zgodność elektromagnetyczna:	Spełnia	2014/30/UE
Obsługa napędem elektrycznym:	STARCUS: M45, M59, Somfy AXROLL	
Odporność na włamanie ręczne:	npd	PN-EN-1627:2011
Hałas - izolacyjność akustyczna :		PN-EN-10140-1

Właściwości użytkowe określonego powyżej wyrobu są zgodne z zestawem deklarowanych właściwości użytkowych. Niniejsza deklaracja właściwości użytkowych wydana zostaje zgodnie z rozporządzeniem (UE) nr 305/2011 na wyłączną odpowiedzialność producenta określonego powyżej.

W imieniu producenta podpisał:

Grzegorz Ratajczak

w Psarach Małych dnia, 2021-04-20



DEKLARACJA ZGODNOŚCI WE

12004/2021

Producent:	KRISPOL Sp. z o.o. ul. Michała Strzykały 4, 62-300 Września
Niepowtarzalny kod identyfikacyjny typu wyrobu:	R2 AMZ
Numer seryjny produktu:	408440/25/1
Zamierzone zastosowanie lub zastosowania:	brama do instalowania w obiektach przemysłowych i handlowych

GABARYTY BRAMY

Szerokość:	3000	mm
Wysokość:	3000	mm
Waga:	74.88	kg

OBSŁUGA NAPIĘDEM ELEKTRYCZNYM

Tryb sterowania:	Impuls
Typ motoreduktora:	STARCUS 1007MK 100 Nm
Typ centrali:	Centrala sterująca Rollixo Optimo
Zabezpieczenie:	Zabezpieczenie krawędziowe optyczne

DEKLAROWANE CECHY

Zgodność niskonapięciowa:	Spełnia	2014/35/UE
Zgodność elektromagnetyczna:	Spełnia	2014/30/UE
Norma zharmonizowana:	Spełnia	PN-EN 13241+A2:2016-10

Nazwa i numer akredytowanej jednostki certyfikującej lub laboratorium oraz numer certyfikatu lub numer raportu z badań typu, jeżeli taka jednostka brała udział w zastosowanym systemie oceny zgodności wyrobu budowlanego:

Wyrób został przebadany zgodnie z normą PN-EN 13241 + A2:2016-10 przez TÜV Czechy, Ostrava, jednostka autoryzow. 211, jednostka notyfikowana 1017 który przeprowadził wstępne badanie typu w systemie 3 i wydał PROTOKÓŁ BADANIA ZGODNOŚCI TYPU WYROBU nr ewidenc. 1017-CPD-162/06/02/05/0, 977/70/10/BT/AO/B, 565/70/10/BT/AO/B, 1011/70/10/BT/AO/B, 597/70/10/BT/AO/B, 1740/70/06/BT/IŻ/B, 1017-CPR-06.947.779

W imieniu producenta podpisał:

Grzegorz Ratajczak
w Psarach Małych dnia, 2021-04-20

322/612/353/2021

Gdańsk, 12-10-2021

HYGIENIC CERTIFICATE No 347/322/353/2021

- | | |
|--|---|
| 1. Product (material) | Rolling doors R1, RGZ, RGW
Rolling grilles R2 |
| 2. Application | for installation in industrial and social utility buildings and in food industry in rooms intended for permanent stay of individuals. Developments, covers, protection of openings in residential construction for installation in cavities or on walls |
| 3. Application institution | KRISPOL Sp. z o.o.
ul. Michała Strzykały 4
62-300 Września |
| 4. Manufacturer | KRISPOL Sp. z o.o.
ul. Michała Strzykały 4
62-300 Września |
| 5. The products have been assessed positively in terms of hygiene.
The approval does not cover occupational health and safety terms during the installation of the products. | |
| 6. Formal basis for issuing the approval: letter of KRISPOL Sp. z o.o. of 26-08-2021 with documentation included. | |
| 7. The present certificate may be changed or voided if either party presents sufficient evidence.
The document becomes invalid after 5 years since the date of issue or if any changes either in composition or manufacturing technology of the product have been introduced. | |

contact address: zts-atesty@gumed.edu.pl

KIEROWNIK
Zakładu Toksykologii Środowiska
z up. Ewa Oleś
prof. dr hab. Lidia Wolska

WWW.KRISPOL.EU

Krispol Sp. z o.o.
ul. Michała Strzykały 4, 62-300 Września
tel. +48 61 662 41 00, fax +48 61 436 76 48
e-mail: office@krispol.eu