



RGW & RGZ

Rolling doors



Maximum space. Minimum limitations.

MAXIMUM SPACE UNDER THE CEILING?

Choose rolling doors.



In spaces where every centimeter of ceiling height matters – especially in the case of unconventional garages, buildings with non-standard structures, or utility rooms – **rolling garage doors** are the perfect solution.

The retracted curtain rolls up onto a shaft positioned above the entrance opening, allowing full use of the ceiling space.

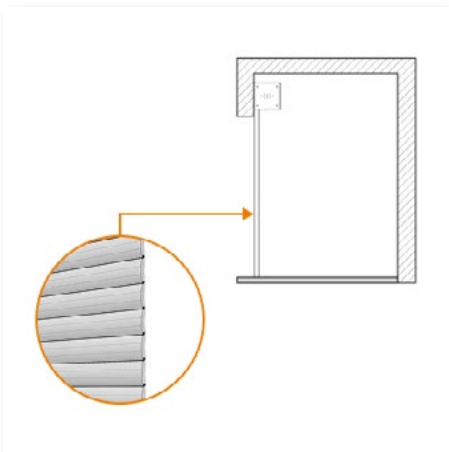
This is a reliable and functional solution, especially where standard door types are not suitable.

Flexible installation adapted to building conditions

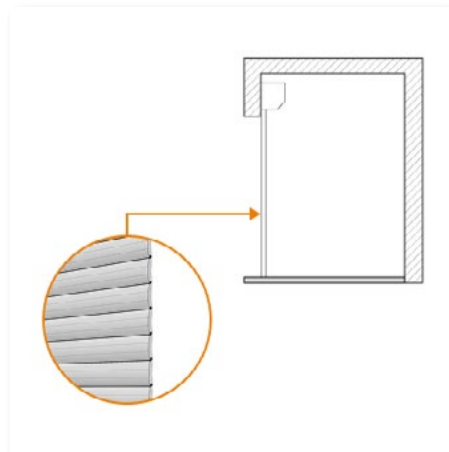
Depending on the specifics of the building, a rolling door can be installed inside the garage (RGW), where the curtain rolls up onto a shaft mounted above the entrance opening, or in the RGZ variant – with either internal or external installation.

In this solution, the entire mechanism, including the shaft with the rolling curtain, is enclosed in an elegant aluminium casing painted to match the colour of the door. This not only ensures a consistent façade appearance but also provides effective protection of the drive components from external factors.

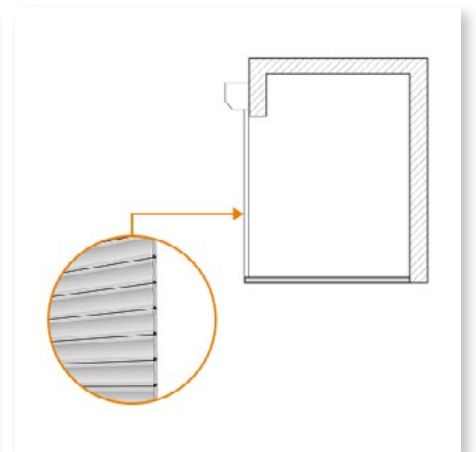
RGW installation



RGZ internal installation

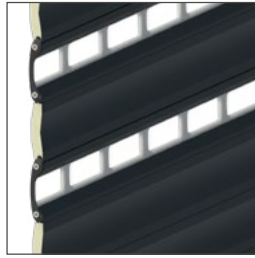


RGZ external installation



Refined technology

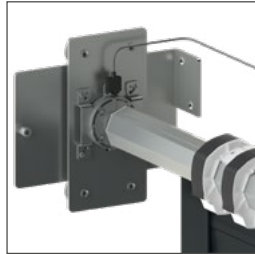
» **Safe design.** 18.5 mm thick slats. Option to use slats with glazed or non-glazed windows, as well as ventilation profiles, enhancing the door's functionality.



» **Durability.** Made of aluminium protected with a lacquer coating. Ensures reliable operation for many years in all weather conditions.



» **Safety.** Drives are adapted to the size and weight of the doors. All doors come standard with an inertial brake that prevents the curtain from falling in the event of a failure.



» **Automation.** A high-quality drive ensures smooth, quiet, and comfortable door operation, regardless of conditions.



» **Comfort.** The doors are fully automated and incredibly easy to operate.



Wide range of finishes

Rolling doors are available in 13 standard colours. We also offer the option to laminate the slats in a wide range of wood-effect and special decorative finishes. Both the guides and door casing can be powder-coated in any RAL colour, allowing for precise matching with the building's façade and window joinery.

This wide range of finishes ensures aesthetic consistency with the overall design – whether for new developments or modernised buildings.



How to order?

1. Go to the website www.krispol.eu.
2. Find the nearest sales partner.
3. Call us or fill out the contact form – we'll take care of the rest!



We're focused on *garage*
& *industrial* doors



KRISPOL Sp. z o.o.
ul. Michała Strzykały 4, 62-300 Września
tel. +48 61 662 41 00, e-mail: biuro@krispol.pl

www.krispol.eu